



Optigo

The compact and versatile controller for ventilation, heating, cooling or domestic hot water control

READY STEADY GO

 **REGIN**

THE CHALLENGER IN BUILDING AUTOMATION



Compact, economic, versatile...

There is no reason to “over-invest” in a controller with more functions than you need. A basic stand-alone controller is usually enough to control heating, cooling, air or humidity in a building.

Optigo, our range of electronic controllers, is an excellent choice in this respect. It is a reliable and cost-efficient controller which solves all your basic control needs.

Optigo is based on our experiences from the popular Aqualine-range, which has been used in thousands of installations and units.



If you need a controller with communication, choose Corrigo E. Corrigo E has communication ports for EXOline, TCP/IP, LON or Modbus. The controller can be integrated into a network and accessed via the Internet or a central computer (SCADA).



...and handled with just a knob

Optigo has a knob with an encoder (1) which makes the menu system very easy to use. You can read and set values shown in the back-lit display (2). A value is approved by pressing the knob.

Timer

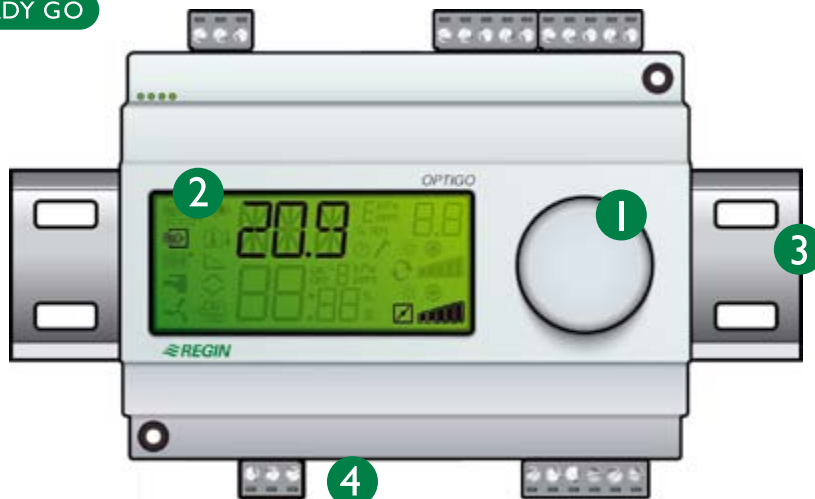
The timer handles for example night set-back, start or stop of fans during weekdays or during a day.

Quick and simple installation

Optigo is suitable for DIN-rail (3) or cabinet mounting. Since the terminals (4) are detachable, all connections can be made before Optigo is installed.

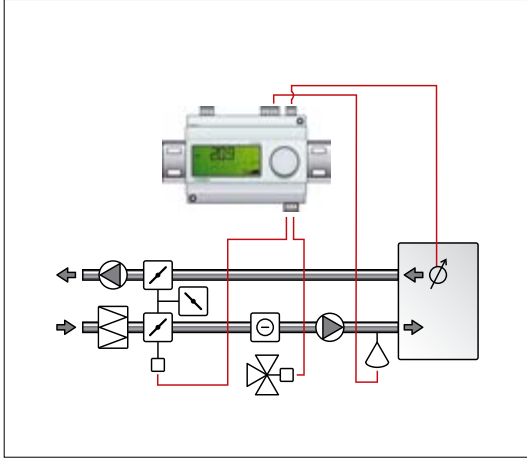
A mounting kit that makes the controller easier to front mount in a cabinet is available as an accessory.

READY STEADY GO

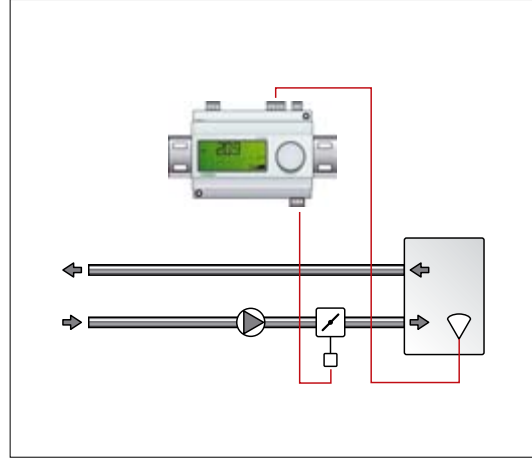


Applications Optigo 5U

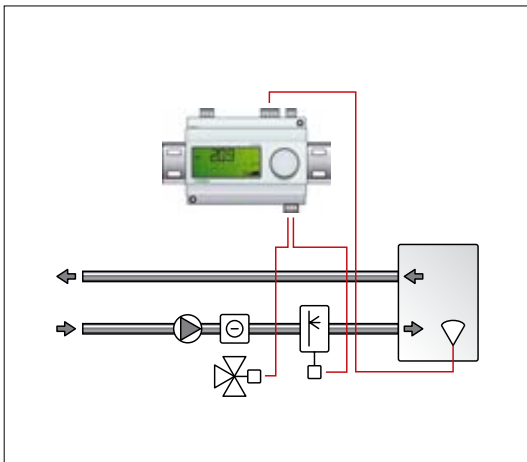
1. Temperature control



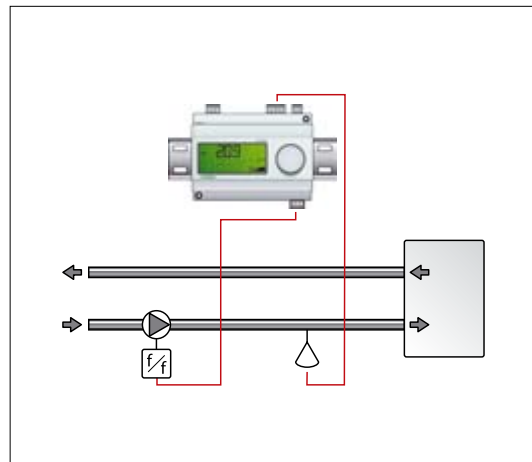
2. CO₂ control



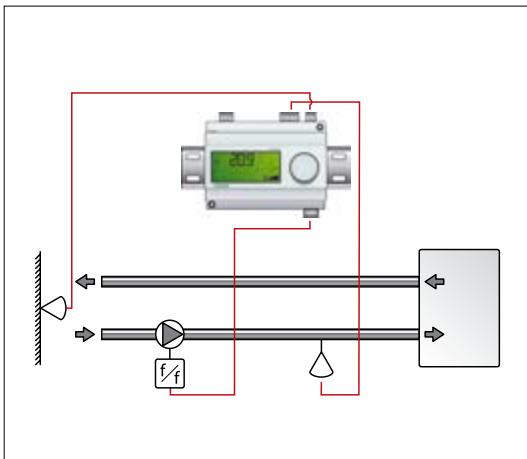
3. General control (humidity, carbon monoxide, etc.)



4. Pressure control

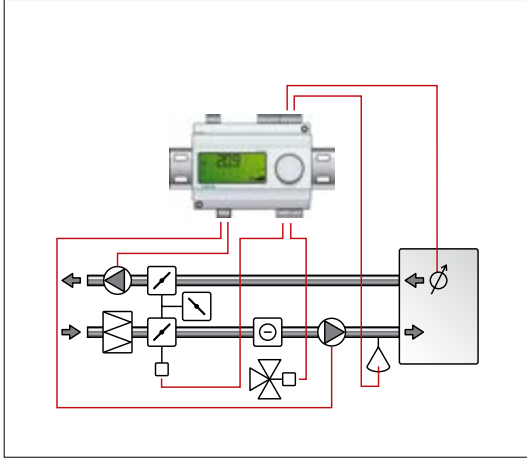


5. Outdoor compensated pressure control

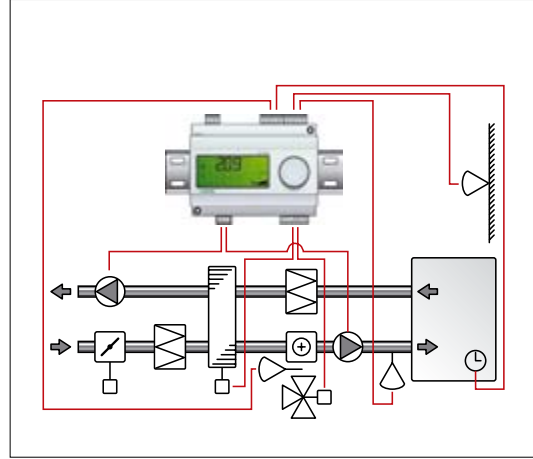


Applications Optigo 10

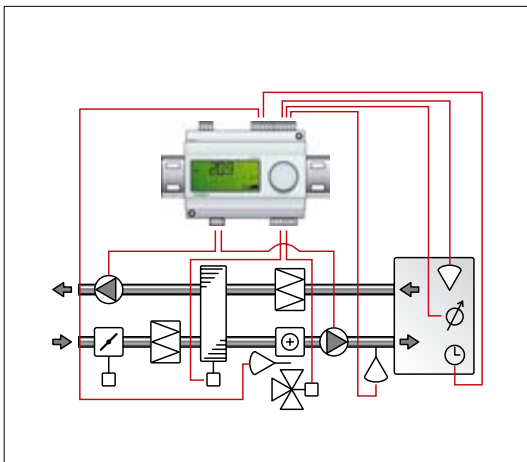
1. Supply temperature control



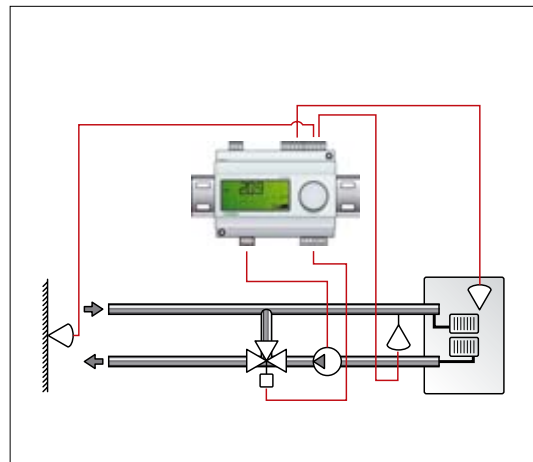
2. Outdoor compensated supply temperature control



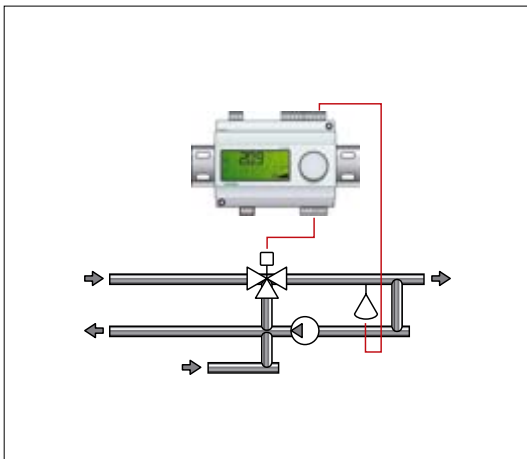
3. Cascade temperature control



4. Heating control



5. Domestic hot water control



*Optigo OP5U**Optigo OPI0**Optigo OPI0-230*

Optigo OP5U

Supply voltage:

24 V

Control alternatives:

- Temperature control
- CO₂ control
- General control 0...100 %
- Pressure control
- Outdoor compensated pressure control

Functions:

- Damper min./max. limitation
- Three temperature ranges: -20...+40°C, 20...100°C, 60...140°C
- Settable P and I values
- Selectable output signals for heating and/or cooling.
- Adjustable setting ranges for different sensors
- Change-over function
- External setpoint

Optigo OPI0

Supply voltage:

24 V

Control alternatives:

- Supply air control
- Supply air control with outdoor compensation
- Exhaust air/room control with cascade function
- Radiator control with outdoor compensation
- Domestic hot water control

Functions:

Air handling

- Minimum limit for dampers
- Start and stop of fans
- Frost protection regulation with heat retention
- Input for overheating protection from a heater
- 3-point or 0...10V control
- Selectable output signals for heating and/or cooling with/without damper control
- Alarm Frost protection/Overheating/Sensor error
- Run indication from fans
- Built-in week-scheduler
- Input for extended running
- External setpoint

Radiator systems

- Night set-back of the setpoint for radiator control
- Pump stop and pump exercise
- Outdoor compensated supply temperature control with settable additional compensation of the curve at 0°C outdoor temperature
- External setpoint

Domestic hot water systems

- PID control
- Periodical overheating of domestic hot water
Prevents growth of Legionella bacteria

Optigo OPI0-230

Supply voltage:

230 V



Technical data

Supply voltage

OP5U and OP10	24 V AC +/- 15 %, 50...60 Hz
OP10-230	230 V AC +/- 15 %, 50...60 Hz
Power consumption	4 VA
Ambient temperature	0...50°C
Storage temperature	-40...+50°C
Ambient humidity	Max 90% RH
Protection class*	IP20

Inputs

Analogue or universal	For PT1000 sensors or 0...10 V DC
Digital	For potential-free contacts

Outputs

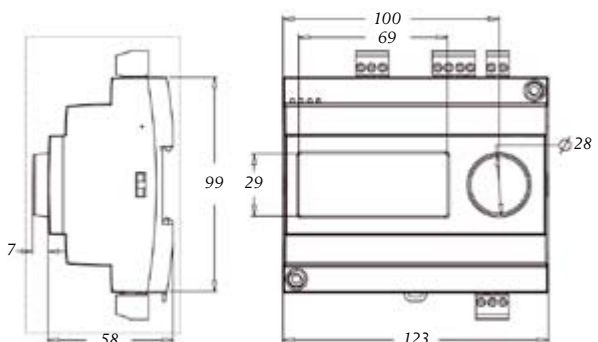
Analogue	0...10 V DC, 1 mA
Digital, Triac	24 V AC, 0.5A
Digital output, change-over relay	230 V AC 5 A

Display	LCD 145 segment, backlit
---------	--------------------------

Models and ports

	AI	UI	DI	AO	DO	SPI
Optigo 5U	1	1	1	2	0	1
Optigo 10	2	1	2	2	3	1
Optigo 10-230	2	1	2	2	3	1

AI: Analogue input
 UI: Universal input
 DI: Digital input
 AO: Analogue output
 DO: Digital output
 SPI: Input for an external PT1000 setpoint device, e.g. TG-R4/PT1000 or TBI-PT1000



* CE These products conform with the requirements of European EMC standards CENELEC EN61000-6-3: 001 and EN61000-6-1: 001 and carry the CE-mark



AB Regin

Head office

Box 116, S-428 22 Källered,
Sweden

Phone: +46 31 720 02 00
Fax: +46 31 720 02 50

info@regin.se
www.regin.se

Germany

RICCIUS + SOHN GmbH

Haynauer Str. 49
D-12249 Berlin

Phone: +49 30 77 99 40
info@riccius-sohn.eu
www.riccius-sohn.eu

France

Regin Controls SARL

32 rue Delizy
F-93500 Pantin

Phone: +33 1 41 71 00 34
info@regin.fr
www.regin.fr

Spain

Regin Ibérica, S.A.

C/Arganda 18 local
E-28005 Madrid

Phone: +34 91 826 54 06
info@regin.es
www.reginiberica.com

Singapore

Regin Controls
Asia Pacific Pte Ltd

66 Tannery Lane
03-04 Sindo Building
Singapore 347805

Phone: +65 6747 8233
info@regin.com.sg
www.regin.com.sg

Hong Kong

Regin Controls
Hong Kong Ltd

Room 2901
EW International Tower
120 Texaco Road
Tsuen Wan, NT
Hong Kong

Phone: +852 2407 0281
info@regin.com.hk
www.regin.com.hk